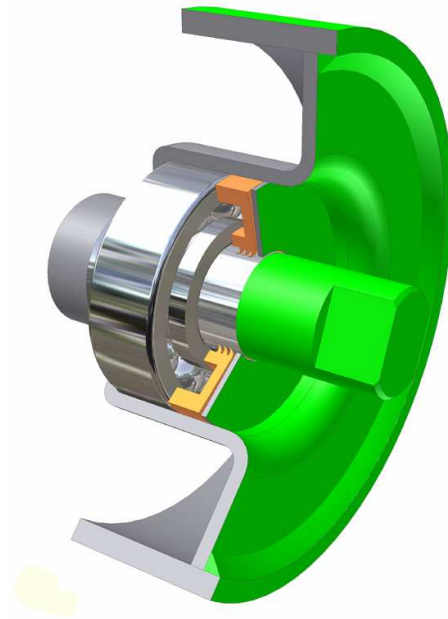


## Estaciones de Rodillos Dimensiones y Códigos

CEMA B

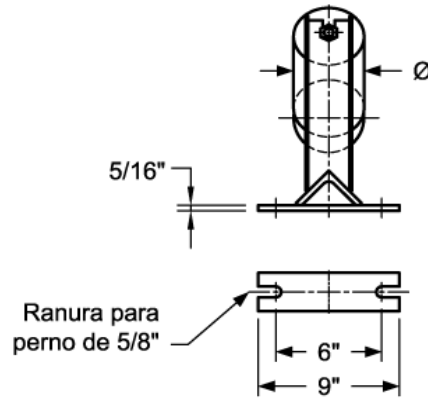
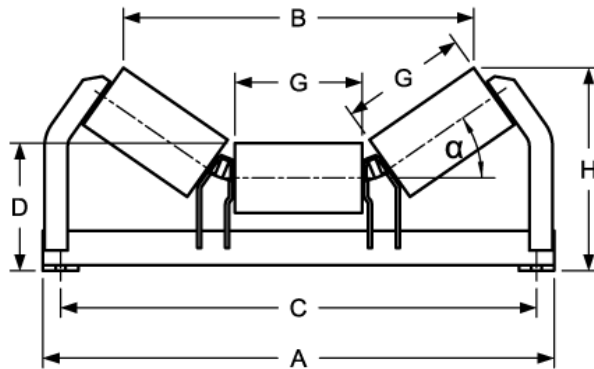




**Estación de Carga**

SERVICIO  
LIVIANO

**SERIE 2.000  
CEMA B**



ANCHO CORREA [""]	CODIGO		ANGULO	A [""]	B [""]		C [""]	D [""]		G [""]	H [""]		PESO [kg]	
	φ RODILLO [""]		ARTESA		φ RODILLO [""]			φ RODILLO [""]			φ RODILLO [""]		φ RODILLO [""]	
	4	5	["°"]		4	5		4	5		4	5	4	5
18	B2402-18	B2502-18	20	29	21 3/16	20 7/8	27	7 1/8	7 5/8	6 7/8	9 5/8	10 1/16	13	15
	B2403-18	B2503-18	35		19 1/2	18 15/16					11 1/4	11 11/16		
	B2404-18	B2504-18	45		17 13/16	17 1/16					12 1/4	12 5/8		
20	B2402-20	B2502-20	20	31	23 1/8	22 7/8	29	7 1/8	7 5/8	7 9/16	9 7/8	10 5/16	14	16
	B2403-20	B2503-20	35		21 1/4	20 11/16					11 11/16	12 1/16		
	B2404-20	B2504-20	45		19 7/16	18 3/8					12 3/4	13 1/16		
24	B2402-24	B2502-24	20	35	26 15/16	26 5/8	33	7 1/8	7 5/8	8 7/8	10 5/16	10 3/4	15	17
	B2403-24	B2503-24	35		24 11/16	24 1/8					12 3/8	12 13/16		
	B2404-24	B2504-24	45		21 3/4	21 1/8					13 5/8	13 15/16		
30	B2402-30	B2502-30	20	41	32 11/16	32 3/8	39	7 1/8	7 5/8	10 7/8	11	11 7/16	17	20
	B2403-30	B2503-30	35		29 15/16	29 3/8					13 9/16	13 15/16		
	B2404-30	B2504-30	45		27 3/8	26 11/16					15 1/2	15 7/8		
36	B2402-36	B2502-36	20	47	38 7/16	38 1/8	45	7 1/8	7 5/8	12 7/8	11 11/16	12 1/8	20	22
	B2403-36	B2503-36	35		35 3/16	34 5/8					14 11/16	15 1/16		
	B2404-36	B2504-36	45		32 1/4	31 9/16					16 7/16	16 13/16		
42	B2402-42	B2502-42	20	53	44 3/16	43 7/8	51	7 5/8	8 1/8	14 7/8	12 7/8	13 5/16	23	24
	B2403-42	B2503-42	35		40 9/16	40					16 3/8	16 3/4		
	B2404-42	B2504-42	45		37 1/8	36 3/8					18 3/8	18 11/16		
48	B2402-48	B2502-48	20	59	49 15/16	49 5/8	57	7 5/8	8 1/8	16 7/8	13 1/2	13 15/16	26	27
	B2403-48	B2503-48	35		45 7/8	45 5/16					17 1/2	17 7/8		
	B2404-48	B2504-48	45		41 15/16	41 1/4					19 3/4	20 1/8		

ESTACIONES DE BASE ANCHA:

AGREGAR 6" A COTAS "A" Y "C"

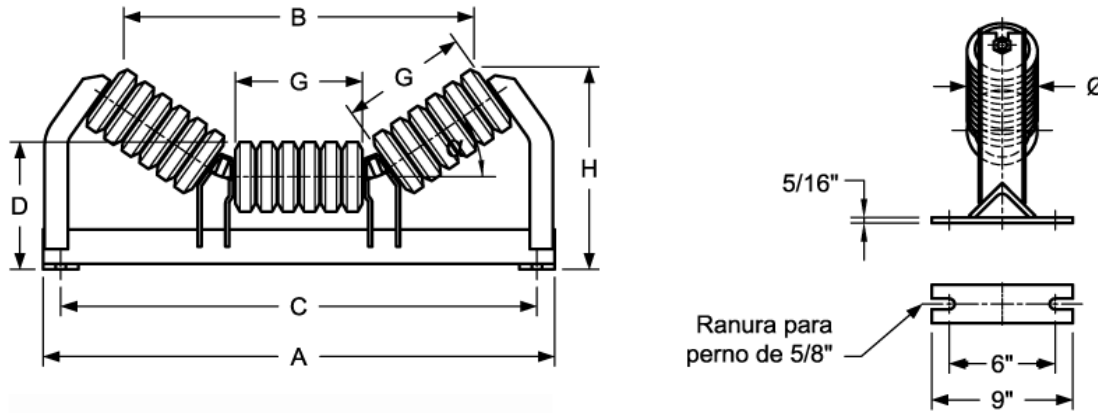
AGREGAR LETRA "W" AL CÓDIGO SEGÚN NOMENCLATURA



**Estación de Impacto**

SERVICIO  
LIVIANO

**SERIE 2.000  
CEMA B**



ANCHO CORREA [""]	CODIGO		ANGULO ARTESA [°]	A [""]	B [""]		C [""]	D [""]		G [""]	H [""]		PESO [kg]	
	φ RODILLO [""]				φ RODILLO [""]			φ RODILLO [""]			φ RODILLO [""]			
	4	5	4		5	4		5	4		5	4	5	
18	B2452-18	B2552-18	20	29	21 3/16	20 7/8	27	7 1/8	7 5/8	6 7/8	9 5/8	10 1/16	17	19
	B2453-18	B2553-18	35		19 1/2	18 15/16					11 1/4	11 11/16		
	B2454-18	B2554-18	45		17 13/16	17 1/16					12 1/4	12 5/8		
20	B2452-20	B2552-20	20	31	23 1/8	22 7/8	29	7 1/8	7 5/8	7 9/16	9 7/8	10 5/16	19	21
	B2453-20	B2553-20	35		21 1/4	20 11/16					11 11/16	12 1/16		
	B2454-20	B2554-20	45		19 7/16	18 3/8					12 3/4	13 1/16		
24	B2452-24	B2552-24	20	35	26 15/16	26 5/8	33	7 1/8	7 5/8	8 7/8	10 5/16	10 3/4	21	23
	B2453-24	B2553-24	35		24 11/16	24 1/8					12 3/8	12 13/16		
	B2454-24	B2554-24	45		21 3/4	21 1/8					13 5/8	13 15/16		
30	B2452-30	B2552-30	20	41	32 11/16	32 3/8	39	7 1/8	7 5/8	10 7/8	11	11 7/16	23	25
	B2453-30	B2553-30	35		29 15/16	29 3/8					13 9/16	13 15/16		
	B2454-30	B2554-30	45		27 3/8	26 11/16					15 1/2	15 7/8		
36	B2452-36	B2552-36	20	47	38 7/16	38 1/8	45	7 1/8	7 5/8	12 7/8	11 11/16	12 1/8	25	27
	B2453-36	B2553-36	35		35 3/16	34 5/8					14 11/16	15 1/16		
	B2454-36	B2554-36	45		32 1/4	31 9/16					16 7/16	16 13/16		
42	B2452-42	B2552-42	20	53	44 3/16	43 7/8	51	7 5/8	8 1/8	14 7/8	12 7/8	13 5/16	27	29
	B2453-42	B2553-42	35		40 9/16	40					16 3/8	16 3/4		
	B2454-42	B2554-42	45		37 1/8	36 3/8					18 3/8	18 11/16		
48	B2452-48	B2552-48	20	59	49 15/16	49 5/8	57	7 5/8	8 1/8	16 7/8	13 1/2	13 15/16	29	31
	B2453-48	B2553-48	35		45 7/8	45 5/16					17 1/2	17 7/8		
	B2454-48	B2554-48	45		41 15/16	41 1/4					19 3/4	20 1/8		

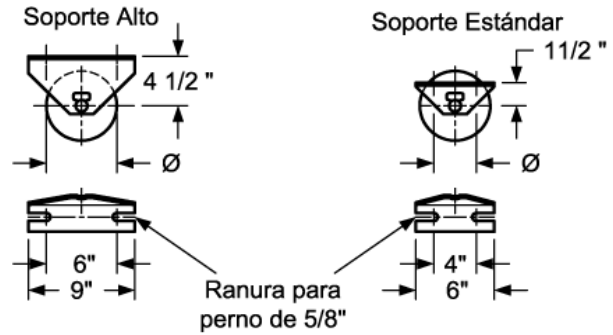
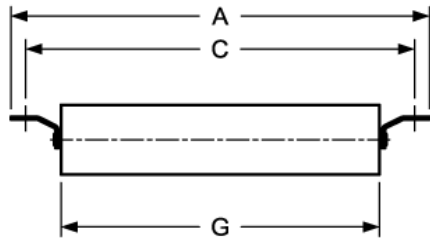
ESTACIONES DE BASE ANCHA: AGREGAR 6" A COTAS "A" Y "C"  
AGREGAR LETRA "W" AL CÓDIGO SEGÚN NOMENCLATURA



**Estación de Retorno Plano**

#iREF!

**SERIE 2.000  
CEMA B**



ANCHO CORREA [""]	CODIGO		ANGULO ARTESA [°]	A [""]	C [""]	D [""]	G [""]	PESO [kg]	
	φ RODILLO [""]							4	5
	4	5							
18	B2410-18	B2510-18	0	29	27	1 1/2	21	9	11
	B2410-D-18	B2510-D-18				4 1/2			
20	B2410-20	B2510-20	0	31	29	1 1/2	23	10	12
	B2410-20	B2510-D-20				4 1/2			
24	B2410-24	B2510-24	0	35	33	1 1/2	27	11	13
	B2410-D-24	B2510-D-24				4 1/2			
30	B2410-30	B2510-30	0	41	39	1 1/2	33	12	15
	B2410-D-30	B2510-D-30				4 1/2			
36	B2410-36	B2510-36	0	47	45	1 1/2	39	14	17
	B2410-D-36	B2510-D-36				4 1/2			
42	B2410-42	B2510-42	0	53	51	1 1/2	45	16	20
	B2410-D-42	B2510-D-42				4 1/2			
48	B2410-48	B2510-48	0	59	57	1 1/2	51	18	22
	B2410-D-48	B2510-D-48				4 1/2			

ESTACIONES DE BASE ANCHA:

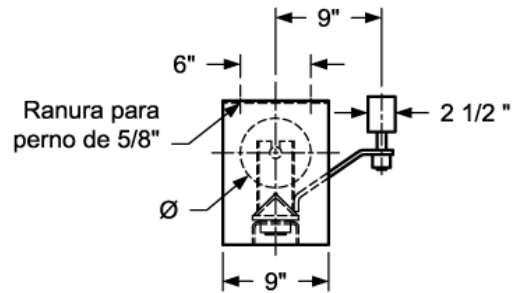
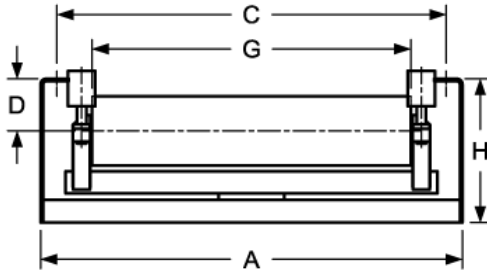
AGREGAR 6" A COTAS "A", "C" Y "G"

AGREGAR LETRA "W" AL CÓDIGO SEGÚN NOMENCLATURA

**Estación Centradora de Retorno Plana**

#iREF!

**SERIE 2.000  
CEMA B**



ANCHO CORREA [""]	CODIGO		A [""]	C [""]	D [""]	G [""]	H [""]	PESO [kg]	
	φ RODILLO [""]							4	5
	4	5							
18	B2430-P-18	B2530-P-18	29 3/4	27	1 1/2	21	8 1/4	22	23
	B2430-PD-18	B2530-PD-18			4 1/2		11 1/4		
20	B2430-P-20	B2530-P-20	31 3/4	29	1 1/2	23	8 1/4	23	24
	B2430-PD-20	B2530-PD-20			4 1/2		11 1/4		
24	B2430-P-24	B2530-P-24	35 3/4	33	1 1/2	27	8 1/4	25	26
	B2430-PD-24	B2530-PD-24			4 1/2		11 1/4		
30	B2430-P-30	B2530-P-30	41 3/4	39	1 1/2	33	8 1/4	28	30
	B2430-PD-30	B2530-PD-30			4 1/2		11 1/4		
36	B2430-P-36	B2530-P-36	47 3/4	45	1 1/2	39	8 1/4	31	33
	B2430-PD-36	B2530-PD-36			4 1/2		11 1/4		
42	B2430-P-42	B2530-P-42	53 3/4	51	1 1/2	45	8 1/4	34	36
	B2430-PD-42	B2530-PD-42			4 1/2		11 1/4		
48	B2430-P-48	B2530-P-48	59 3/4	57	1 1/2	51	8 1/4	37	40
	B2430-PD-48	B2530-PD-48			4 1/2		11 1/4		

ESTACIONES DE BASE ANCHA:

AGREGAR 6" A COTAS "A" Y "C"

AGREGAR LETRA "W" AL CÓDIGO SEGÚN NOMENCLATURA

DISEÑO SUJETO A CAMBIO SIN PREVIO AVISO